

## SBT500-2000

"SBT" SERIES SHEAR BEAM NIKEL-PLATED LOAD CELLS, from 500kg to 2000kg



Dini Argeo nickel-plated approved load cells. The measures are compatible with the main shear beam load cells present on the market. They are suitable for creating CE-M approved scales with 4 load cells or for weighing conveyors, tanks and hoppers, thanks to their accessories.

---

**CAPACITIES (kg):** 500, 1000, 2000.

---

OIML R60 approved, NTEP, ATEX 3GD.

---

**Nickel-plated steel. IP67** protection.

---

Working in cooperation with:

**CBH VAEGTE APS**

VONSILDVEJ 207 - 6000 - KOLDING - DENMARK  
Tel. 004575567310 Fax. 004575567320  
info@cbh-vaegte.dk

The best solution  
for advanced industrial  
applications

## MAIN FEATURES

- C3 PRECISION CLASS
- NIKEL-PLATED CONSTRUCTION
- POTTED SEAL, IP67 PROTECTION
- MAX. CAPACITIES FROM 500 TO 2000 kg
- SHIELDED CONNECTION CABLE
- TEST CERTIFICATE AVAILABLE UPON REQUEST

## TECHNICAL FEATURES

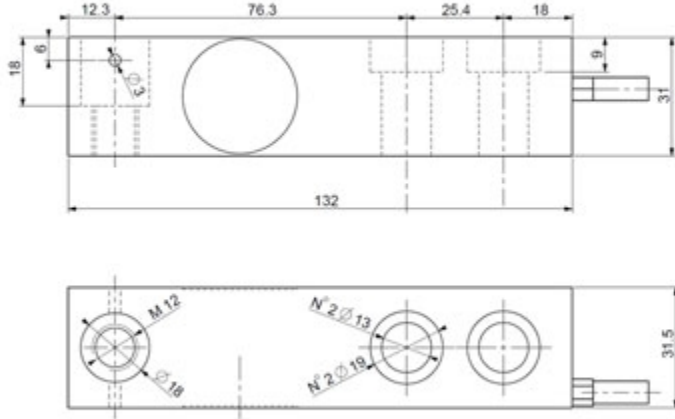
- Minimum load cell verification interval  $V_{min} = E_{Max} / 10.000$
- Maximum number of verification intervals  $n_{LC} = 3000$
- Combined error 0,017% of Full Scale Output (F.S.)
- Nonlinearity  $\pm 0.02\%$  FS
- Hysteresis  $\pm 0.02\%$  FS
- Repeatability  $\pm 0.01\%$  FS
- Full Scale Output  $2mV/V \pm 0.5\%$
- Zero balance  $\pm 1\%$  FS
- Compensated Temperature Range  $-10^{\circ}C/+50^{\circ}C$ .
- Operating Temperature Range  $-20^{\circ}C/+60^{\circ}C$ .
- Creep error after 30 minutes  $<0,02\%$  F.S.
- Maximum tolerated excitation voltage 15 Vdc
- Input Resistance  $380 \pm 20$  Ohm
- Output Resistance  $350 \pm 5$  Ohm
- Insulation Resistance  $>5000$  MOhm
- Safe Overload 150% F.S.
- Ultimate Overload 300% F.S.
- 6-wire shielded cable, 3.5m long, 5 mm diameter

## ATEX VERSION

- The CCATEX certificate makes the load cell suitable for use in hazardous areas with protection methods according to:ATEX II 3G Ex ic IIC T6 (Ta  $-20^{\circ}C/+65^{\circ}C$ ) Gc  
ATEX II 3G Ex nA IIC T6 (Ta  $-20^{\circ}C/+65^{\circ}C$ ) Gc  
ATEX II 3D Ex tc IIIC T85°C (Ta  $-20^{\circ}C/+65^{\circ}C$ ) Dc IP65.  
The certificate includes the manual and the ATEX CE conformity declaration (available in EN, DE, FR, and IT).  
IMPORTANT: the certificate refers to the single load cell. For systems with more load cells, it is necessary to order one certificate for each load cell.

## DIMENSIONS - DECODING STANDARD CABLE

- NOTE: dimensions in mm



- Decoding of the standard cable colours

Colour	Function
--	SHIELD
YELLOW	OUTPUT +
GREY	SENSE +
BROWN	INPUT +
WHITE	OUTPUT -
GREEN	INPUT -
PINK	SENSE -

## VERSIONS

### Available versions

Codice	Max (kg)
SBT500 <b>M</b>	500
SBT1000 <b>M</b>	1000
SBT2000 <b>M</b>	2000



www.diniargeo.com



“YOUR WORLDWIDE PARTNER FOR WEIGHING,”

DINI ARGEO  
FRANCE sarl  
Nogent-sur-Marne

DINI ARGEO  
GMBH  
Sinsheim - Germany

DINI ARGEO  
UK Ltd  
Taunton - United Kingdom

DINI ARGEO WEIGHING  
INSTRUMENTS Ltd  
Shanghai - China

DINI ARGEO  
WEIGHBRIDGES  
Calto (RO) – Italy



HEAD OFFICE  
Via Della Fisica, 20  
41042 Spezzano di Fiorano Modena - Italy



**CBH VAEGTE APS**

VONSILDVEJ 207 - 6000 - KOLDING - DENMARK

Tel. 004575567310 Fax. 004575567320

info@cbh-vaegte.dk

SALES AND TECHNICAL ASSISTANCE SERVICE